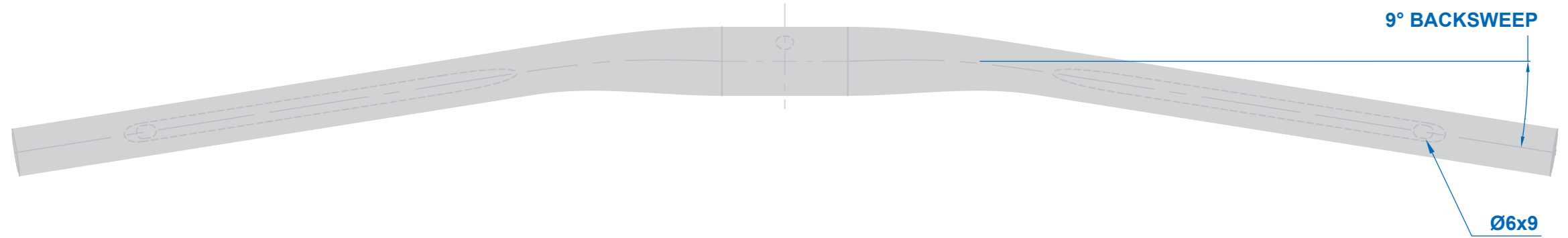
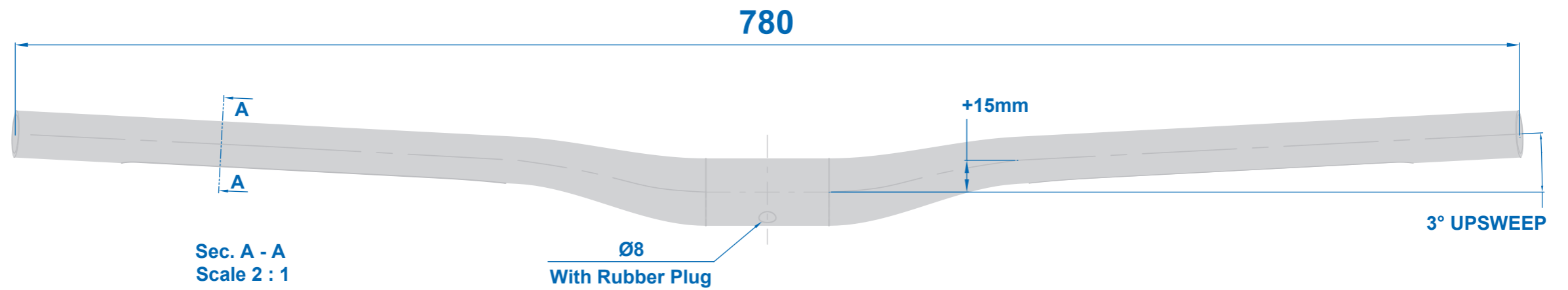


TOP VIEW



FRONT VIEW



Sec. A - A
Scale 2 : 1

