

RIDLEY

Frame passport · Noah Fast Disc · type 7E3 · Englisch
~ Last update: 09/10/2018 ~



INDEX

- 0. UPDATES..... 3**
- 1. GENERAL 3**
 - 1.1. PART CODES 3
- 2. MATERIAL..... 3**
- 3. WEIGHT 3**
 - 3.1. FRAME 3
 - 3.2. FORK 3
- 4. GEOMETRY..... 4**
- 5. CABLE ROUTING..... 4**
 - 5.1. COMPATIBILITY 4
 - 5.2. MECHANICAL CABLE ROUTING..... 4
 - 5.3. ELECTRONIC CABLE ROUTING 5
- 6. PARTS..... 6**
 - 6.1. FORK..... 6
 - 6.1.1. MATERIAL 6
 - 6.1.2. DIMENSIONS 6
 - 6.1.3. PART CODES 6
 - 6.2. HANDLEBAR..... 6
 - 6.2.1. MATERIAL 6
 - 6.2.2. DIMENSIONS 6
 - 6.2.3. PARTS 7
 - 6.3. HEADSET 7
 - 6.4. SEAT POST..... 7
 - 6.5. SADDLE CLAMP 8
 - 6.6. BOTTOM BRACKET 8
 - 6.7. BRAKES 8
 - 6.8. DERAILLEUR..... 8
 - 6.8.1. FRONT..... 8
 - 6.8.2. REAR..... 9
 - 6.9. DROP-OUTS 9
- 7. WHEELS AND TIRES 9**
 - 7.1. FORK..... 9
 - 7.2. FRAME..... 9
 - 7.3. TIRES 9
- 8. WARRANTY INFORMATION..... 9**
 - 8.1. MAXIMUM RIDER WEIGHT..... 9

0. UPDATES

The development of frames, forks and components is a continuous running process. Therefore, we strongly advise before reading this information sheet check our website for new updates.

1. GENERAL

1.1. PART CODES

All the Noah Fast frames have a particular part code composed by the letters "FRANFDRID...", added by 3 numbers. The three numbers change depending on the design and size of the frame. Due to the big amount of frames we don't list all the numbers. You can contact your local dealer for more information if needed.

2. MATERIAL

Used frame materials:

- 50 ton High Modulus Carbon
- 40 ton High Modulus Carbon
- 30 ton High Modulus Carbon

3. WEIGHT

3.1. FRAME

| Size | weight (*) |
|------|------------|
| XS | 990 grams |
| S | 1000 grams |
| M | 1020 grams |
| L | 1060 grams |
| XL | 1100 grams |

(*) Weight of painted frame, real weight may differ from the weight mentioned above by $\pm 10\%$.

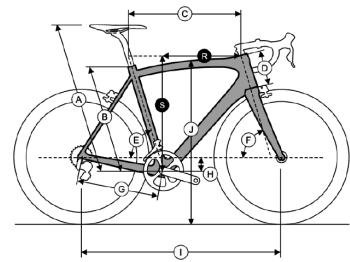
3.2. FORK

The weight of the Noah Fast Disc is around 440 g (*).

(*) Weight of painted fork, real weight may differ from the weight mentioned above by $\pm 10\%$.

4. GEOMETRY

| SIZE | A(*) | B | C | D | E | F | G | H | I | J | S | R |
|------|---------|-----|-----|-----|------|------|-----|----|------|---|-----|-----|
| XXS | 720 | 430 | 512 | 95 | 74,5 | 71,5 | 405 | 68 | 969 | - | 493 | 375 |
| XS | 745/795 | 455 | 526 | 117 | 74 | 72 | 405 | 68 | 975 | - | 516 | 378 |
| S | 770/820 | 480 | 545 | 140 | 73,5 | 73 | 405 | 66 | 977 | - | 541 | 385 |
| M | 795/845 | 505 | 565 | 164 | 73 | 73,5 | 405 | 66 | 987 | - | 565 | 393 |
| L | 820/870 | 530 | 587 | 194 | 72,5 | 73,5 | 408 | 63 | 1007 | - | 591 | 401 |
| XL | 845/895 | 555 | 603 | 218 | 72,5 | 74 | 408 | 63 | 1017 | - | 616 | 409 |



(*) Max saddle height for 350/400 mm seat post. The bike is standard delivered with 350 mm seat post.

5. CABLE ROUTING

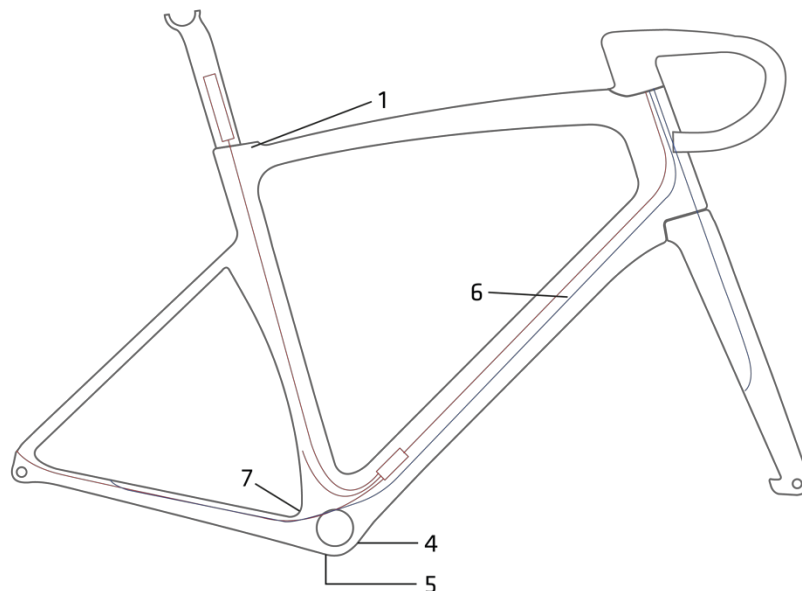
5.1. COMPATIBILITY

The Noah Fast Disc is compatible for:

- Mechanical groupsets
- Electronic groupsets: Shimano Di2, Campagnolo EPS & SRAM eTap

5.2. MECHANICAL CABLE ROUTING

Below you can find the parts needed for a mechanical groupset:

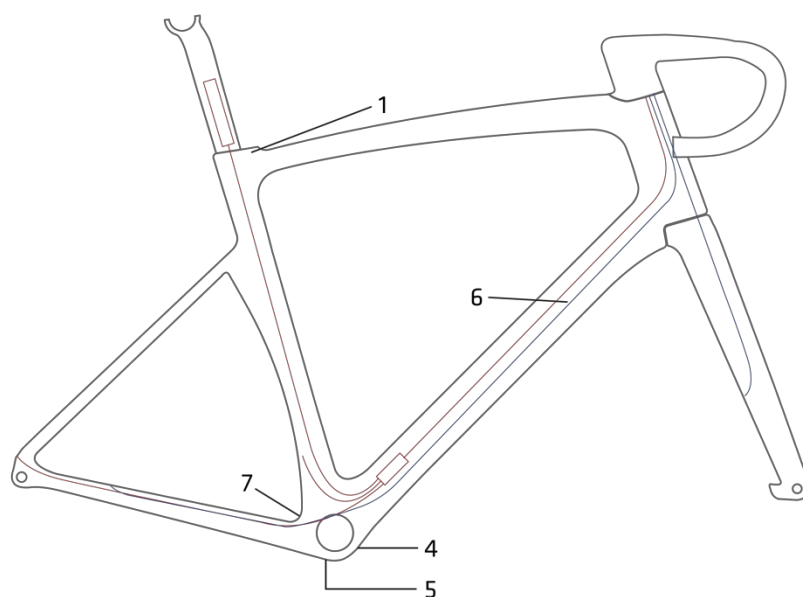


| no. | part | part code | quantity |
|-----|----------------------|--------------|----------|
| 1 | SEAT POST COVER | FRPSEPRID001 | 1 |
| 2 | PLUG | FRPGROJAG002 | 1 |
| 3 | PLUG | FRPGRORID007 | 1 |
| 4 | BOTTOM BRACKET COVER | FRPBRRID001 | 1 |
| 5 | BOLT | BLTNOBNOB059 | 1 |
| 6 | FOAM | CABFOAJAG001 | 3 |

(*) In case of using a groupset without integrated cable adjuster at the front derailleur, a cable stopper (FRPSTORID007) and inline adjuster (CABSTIJAG056) will have to be used to adjust the tension of the front derailleur cable.

5.3. ELECTRONIC CABLE ROUTING

Below you can find the parts needed for a electronic groupset:



| no. | part | part code | quantity |
|-----|----------------------|--------------|----------|
| 1 | SEAT POST COVER | FRPSEPRID001 | 1 |
| 2 | PLUG | FRPGROJAG003 | 1 |
| 3 | PLUG | FRPGRORID007 | 1 |
| 4 | BOTTOM BRACKET COVER | FRPBRRID001 | 1 |
| 5 | BOLT | BLTNOBNOB059 | 1 |
| 6 | FOAM | CABFOAJAG001 | 1 |
| 7 | PLUG | FRPGROJAG002 | 1 |

6. PARTS

6.1. FORK

This bike uses the Noah Fast Disc aero fork.

6.1.1. MATERIAL

- Fork legs: Carbon
- Steerer tube: Carbon

6.1.2. DIMENSIONS

- Steerer tube length: 300 mm
- Headset: 1 1/8" upper ring - 1 1/4" lower ring
- Fork rake:
 - o S, M, L and XL frame size: 45 mm
 - o XS frame size: 50 mm
- OLD (OverLock nut Distance): 100 mm

6.1.3. PART CODES

All the Noah Fast forks have a particular part code composed by the letters "FORCFR4ZA", added by 3 numbers. The three numbers, depending on the design. Due to the big amount of forks we don't list all the numbers but you can contact your local dealer for more information if needed.

6.2. HANDLEBAR

6.2.1. MATERIAL

The Noah Fast handlebar is a full carbon handlebar.

6.2.2. DIMENSIONS

- Drop: 130 mm
- Reach: 75 mm

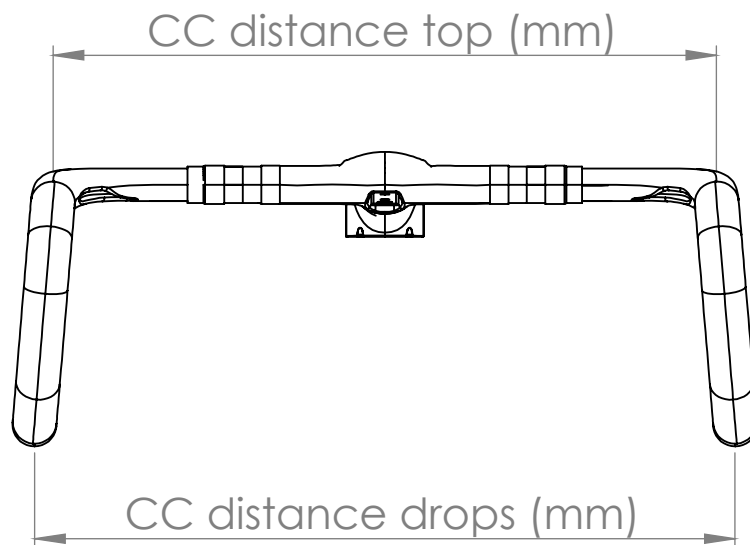
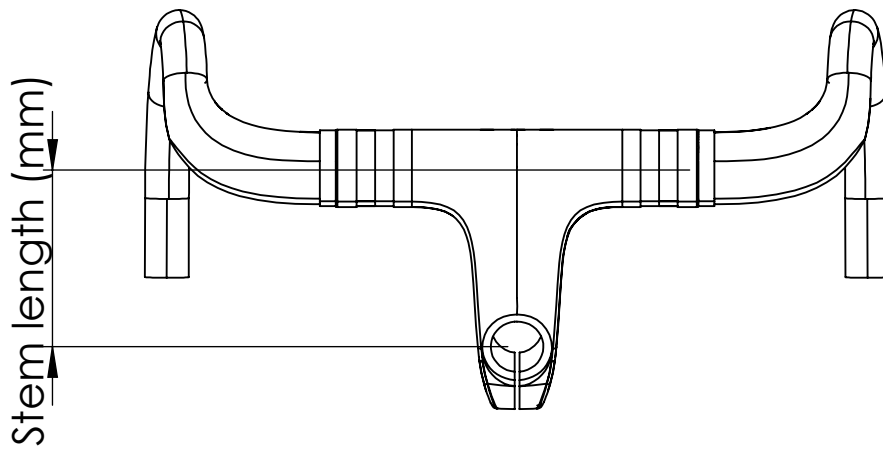
The handlebar is available in multiple sizes:

| Stem length | Bar width |
|-------------|-----------|
| 90 | 400 |
| 100 | 400 |
| 110 | 420 |
| 120 | 440 |

Geometry N1 handlebar

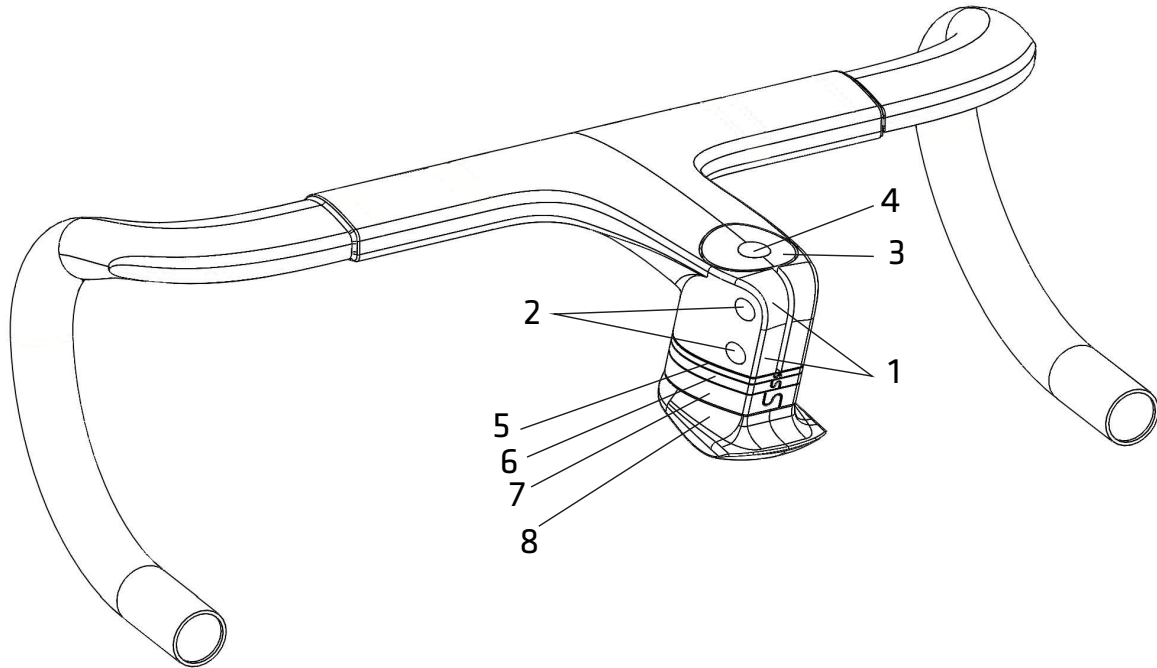
Handlebar sizing: 100-400/420

- 100 = stem length (mm)
- 400 = CC distance top (mm)
- 420 = CC distance drops (mm)



6.2.3. PARTS

All parts belonging to the handlebar are shown below:



| no. | part | part code | quantity |
|-----|------------------------|--------------|----------|
| 1 | Bolts + nut | HBPAER4ZA001 | 1 set |
| 2 | Stem plug | HBPGRORID001 | 2 pcs |
| 3 | Top cap | HBPAER4ZA002 | 1 pc |
| 4 | Top cap plug | HBPGRORID002 | 1 pc |
| 5 | Aero spacer 3 mm | SPAAER4ZA001 | 3 pair |
| 6 | Aero spacer 5 mm | SPAAER4ZA002 | 2 pair |
| 7 | Aero spacer 10 mm | SPAAER4ZA003 | 2 pair |
| 8 | Integrated cone spacer | SPAAER4ZA004 | 1 pc |

6.3. HEADSET

45° Oversized angular contact bearing (S.H.I.S.: IS42/28,6|IS47/33):

- Lower bearing: 1 1/4"
- Upper bearing: 1 1/8" Recommended headsets:

| ridley part code | Type | brand |
|------------------|--------------------|-------|
| HSERACFSA014 | NO.44/CF w/o H6063 | FSA |
| HSERACDEE004 | HDIN84ASUJR | Deda |

6.4. SEAT POST

The Noah Fast frame is developed to use the Noah Fast aero seat post. To fix the seat post, the internal seat post clamp (SPCAER4ZA005) has to be used. Pay attention to not exceed the maximum torque of 8 Nm!

6.5. SADDLE CLAMP

There are three saddle clamps available:

| ridley part code | description | compatibility |
|------------------|----------------------|---------------------------|
| SACWCSRIT003 | Saddle Clamp 7x7mm | Standard round alloy rail |
| SACWCSRIT004 | Saddle Clamp 7x9,6mm | Fizik oval carbon rail |
| SACWCSRIT005 | Saddle Clamp 8x8,5mm | Standard oval carbon rail |

6.6. BOTTOM BRACKET

The bottom bracket is designed for press fit 30 cups with a diameter of 46 mm and width of 68 mm. Below bottom bracket cups are being used for the standard assembled bikes.

| part code | brand | description | compatible cranksets |
|--------------|------------|--|---|
| BBRPF3SRA001 | SRAM | PRESS FIT 30 CUPS | SRAM 30 MM CRANKSETS |
| BBRPF3SRA003 | SRAM | SRAM PF30 TO BSA ADAPTER 68MM | SHIMANO BSA 68 CRANKSETS SRAM BSA 68 CRANKSETS |
| BBRPF3CAM002 | CAMPAGNOLO | ULTRA TORQUE™ OS-FIT™ INTEGRATED CUPS BB30 68X46 | CAMPAGNOLO ULTRA TORQUE CRANKSETS |
| BBRPF3CAM003 | CAMPAGNOLO | POWER TORQUE™ OS-FIT™ INTEGRATED CUPS BB30 68X46 | CAMPAGNOLO POWER TORQUE CRANKSETS |

6.7. BRAKES

The Noah Fast Disc is suited for most standard disc brakes available in the market.

Fork:

- Type: Flat mount
- Max. rotor size: 160mm*

Frame:

- Type: Flat mount
- Max. rotor size: 160mm*

* Fork and frame are designed to be compatible with a 140 mm as well as 160 mm rotor.

6.8. DERAILLEUR

6.8.1. FRONT

The Noah Fast frame uses a braze on clamp for the front derailleur.

6.8.2. REAR

For the rear derailleur, the Noah Fast frame uses a replaceable hanger (HAARCERID041).



6.9. DROP-OUTS

The fork features an aluminum threaded insert for fixation of the front thru axle.

7. WHEELS AND TIRES

7.1. FORK

The fork is developed for 700C race wheels with a build in width of 100 mm and the wheels are assembled in the fork by use of a thru axle with following dimensions:

Thru axle:

- Length: 120 mm
- Diameter: 12 mm
- Pitch: 1,5 mm

7.2. FRAME

The frame is developed for 700C race wheels with a build in width of 142 mm and the wheels are assembled in the frame by use of a thru axle with following dimensions:

Thru axle:

- Length: 163 mm
- Diameter: 12 mm
- Pitch: 1,5 mm

7.3. TIRES

We recommend 28 mm as a maximum tire size. Please note that not all tire manufacturers use the same sizing standard so we recommend to do an assembly check and confirm clearances

8. WARRANTY INFORMATION

8.1. MAXIMUM RIDER WEIGHT

The maximum advised rider weight is 110 kg.