

e-bike fullsuspension

A	B	C	D	E	R	S
e-Marathon iTube Bosch GEN4 und Smart System						
S /42 cm	590	76,0°	125	66,0°	430.0	640.0
M /46 cm	610	76,0°	130	66,0°	450.0	645.0
L /50 cm	630	76,0°	135	66,0°	470.0	649.0

e-Allmountain iTube Bosch GEN4

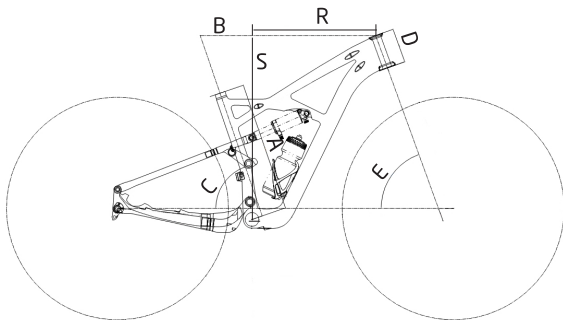
M /43 cm	595	73,9°	120	67,5°	397.3	646.6
L /48 cm	615	73,9°	130	67,5°	414.5	655.9
XL /53 cm	630	73,9°	140	67,4°	426.7	665.1

e-Marathon Steps

S /42 cm	590	76,0°	125	66,0°	430.0	640.0
M /46 cm	610	76,0°	130	66,0°	450.0	645.0
L /50 cm	630	76,0°	135	66,0°	470.0	649.0

e-bike hardtail

A	B	C	D	E	R	S
e-pro iTube Steps						
M /44 cm	632	73,0°	125	68,0°	439.9	628.6
L /48 cm	653	73,0°	130	68,0°	459.8	633.6
XL /52 cm	675	73,0°	135	68,0°	480.0	637.7



road / gravel

A	B	C	D	E	R	S
premium 2 carbon						
XS/41 cm (412)	512	74,2°	121	71,2°	365.0	522.0
S/44 cm (442)	528	73,7°	140	71,6°	370.0	542.0
M/47 cm (472)	545	73,2°	161	72,0°	375.0	562.0
L/50 cm (502)	560	72,8°	183	72,4°	380.0	584.0
XL/53 cm (532)	579	72,2°	202	72,8°	386.0	603.5

aero carbon

XS/49 cm (455)	508	75,5°	104	71,7°	376.3	510.1
S/52 cm (480)	531	74,0°	115	72,5°	381.0	523.0
M/54 cm (486)	543	74,0°	135	72,5°	388.0	539.0
L/56 cm (518)	562	73,5°	153	73,5°	396.5	558.7
XL/58 cm (537)	577	73,5°	180	73,5°	403.8	584.6

road alu

XS/48 cm	520	74,5°	110	71,5°	379.0	510.0
S/50 cm	535	74,0°	120	72,5°	385.0	523.0
M/52 cm	550	74,0°	140	73,0°	389.0	544.0
L/54 cm	565	73,5°	160	73,0°	390.0	563.0
XL/56 cm	580	73,0°	178	73,5°	397.0	582.0

gravel carbon

XS/46 cm	525	74,5°	120	70,0°	374.0	541.0
S/49 cm	540	74,0°	140	71,0°	378.0	564.0
M/51 cm	555	73,5°	165	71,5°	381.0	589.0
L/53 cm	570	73,5°	185	71,5°	390.0	608.0

gravel alu

XS/47 cm	515	75,0°	110	70,0°	372.4	520.8
S/50 cm	530	74,0°	120	70,5°	373.2	523.6
M/53 cm	545	73,5°	130	71,0°	379.7	557.8
L/56 cm	562	73,25°	150	71,5°	387.7	574.8
XL/59 cm	580	73,0°	170	72,0°	396.6	594.8

allroad alu

XS/48 cm	525	74,0°	115	71,0°	373.6	528.1
S/50 cm	535	74,0°	130	71,0°	379.5	542.2
M/53 cm	545	74,0°	145	71,0°	384.7	558.9
L/55 cm	560	74,0°	160	72,0°	394.6	576.9
XL/59 cm	580	74,0°	190	72,0°	406.4	605.4