



**HELLBENDER**  
**BOTTOM BRACKET**

PF30 = 68mm, 73mm

BB30 = 68mm, 73mm

### Installation

#### ① Grease

Graisse  
Fetten  
Grasso

#### ② Press

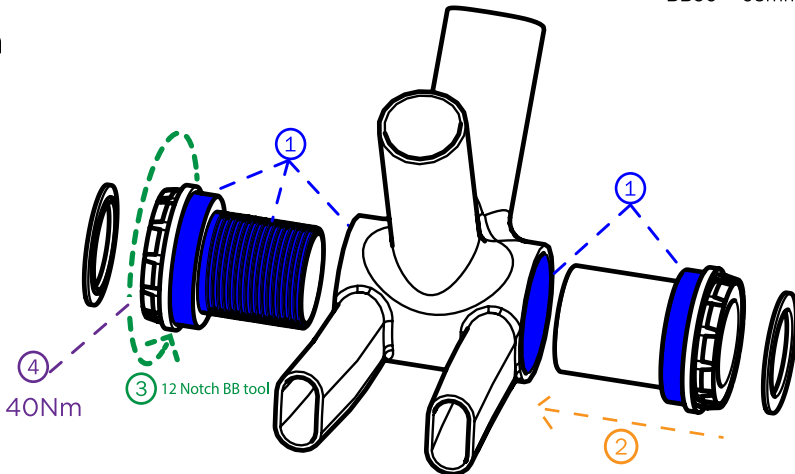
Presse  
Einpressen  
Pressare

#### ③ Thread

Visser  
Einschrauben  
Avvitare

#### ④ Torque 40Nm

Serrer  
Festziehen  
Serrare



eeWings Cranksets Require (1) Additional Spindle Spacer on the Driveside of the Crank - see eeWings instructions.

### Installation

#### ① Measure

Mesure  
Messen  
Misurare

#### ② Grease

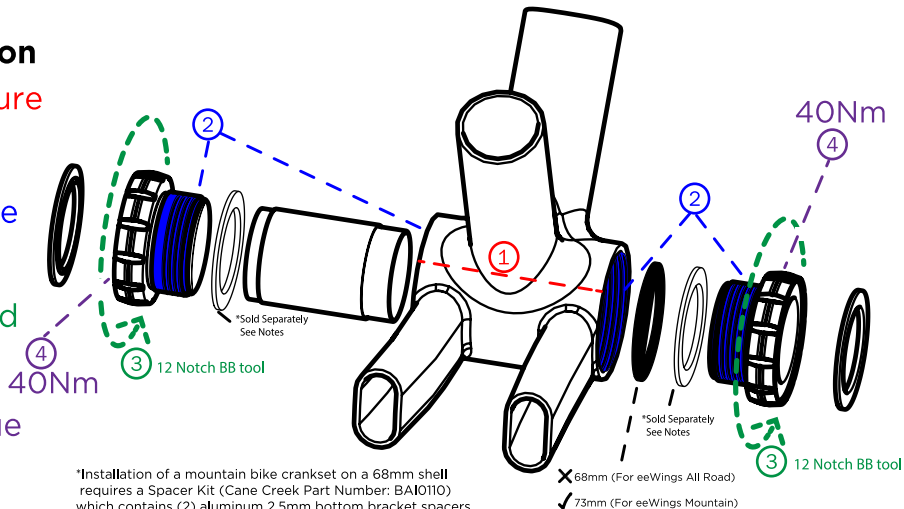
Graisse  
Fetten  
Grasso

#### ③ Thread

Visser  
Einschrauben  
Avvitare

#### ④ Torque

Serrer  
Festziehen  
Serrare



\*Installation of a mountain bike crankset on a 68mm shell requires a Spacer Kit (Cane Creek Part Number: BAI0110) which contains (2) aluminum 2.5mm bottom bracket spacers.

eeWings Cranksets Require (1) Additional Spindle Spacer on the Driveside of the Crank - see eeWings instructions.



## PF41 - Pressfit

30mm Spindle ONLY

PF41 = 86.5, 89.5, 92, 121, 124, 132

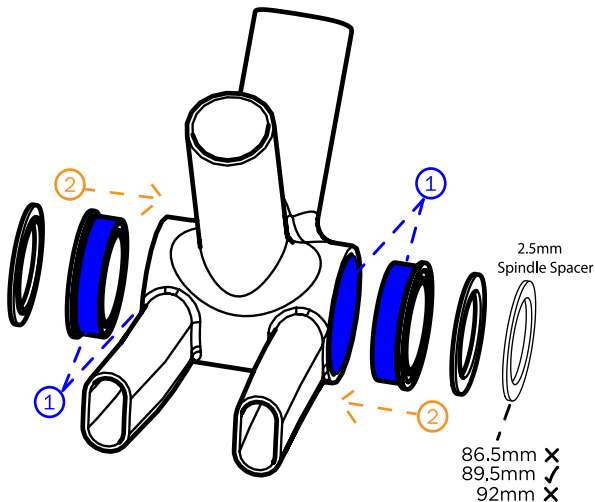
### Installation

#### ① Grease

Graisse  
Fetten  
Grasso

#### ② Press

Presse  
Einressen  
Pressare



eeWings Cranksets Require (1) Additional Spindle Spacer on the Driveside of the Crank - see eeWings instructions.

T47 = 68mm, 73mm

### Installation

#### ① Measure

Mesure  
Messen  
Misurare

#### ② Grease

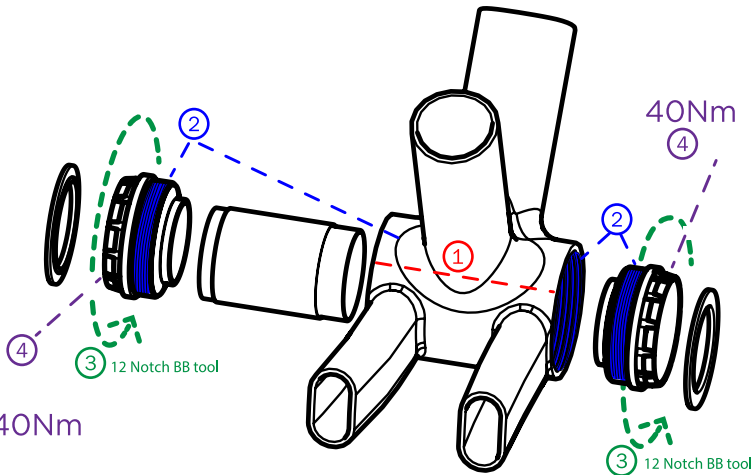
Graisse  
Fetten  
Grasso

#### ③ Thread

Visser  
Einschrauben  
Avvitare

#### ④ Torque 40Nm

Serrer  
Festziehen  
Serrare



eeWings Cranksets Require (1) Additional Spindle Spacer on the Driveside of the Crank - see eeWings instructions.